

626

Router made of solid carbide with diamond-patterned teeth.

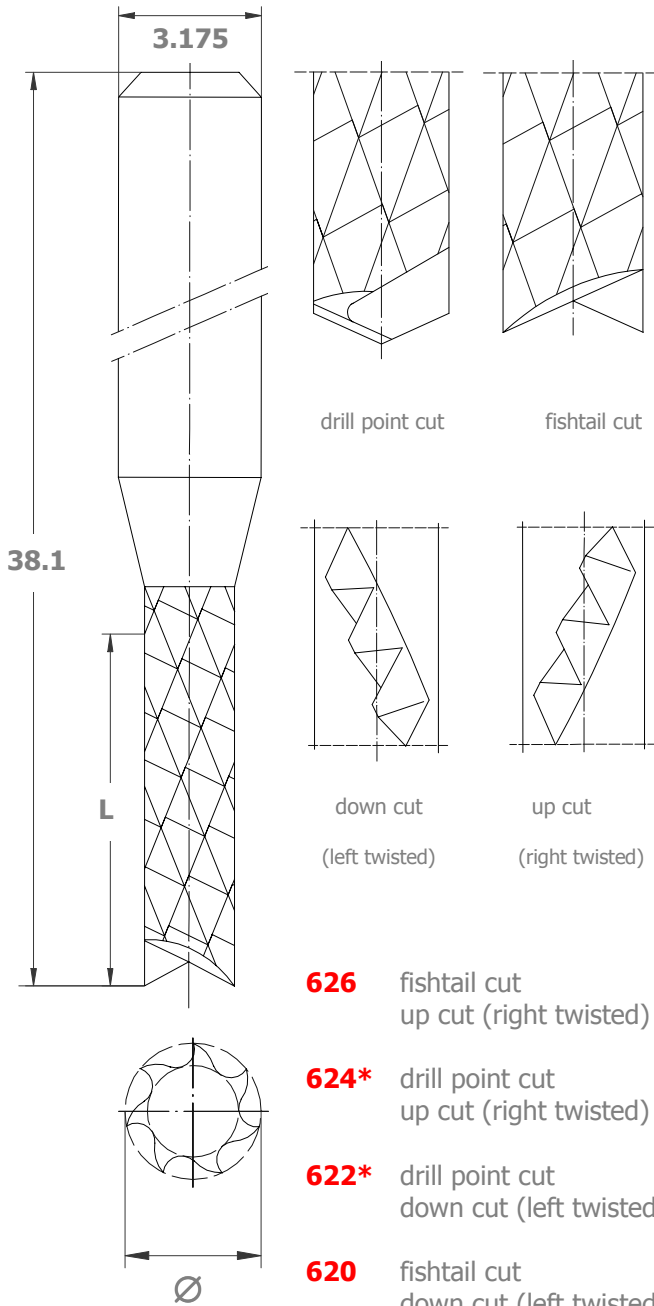
Applications:

- standard router for inner and outer contour
- glass-epoxy based materials

624

622

620



- 626** fishtail cut
up cut (right twisted)
- 624*** drill point cut
up cut (right twisted)
- 622*** drill point cut
down cut (left twisted)
- 620** fishtail cut
down cut (left twisted)

* on request

Ø [mm]	L [mm]				Standard
	5	7	8	10	
1.0	x	x			626 / 620
1.1	x	x			626
1.2	x	x			626 / 620
1.3	x	x			626
1.4	x	x			626
1.5			x		626
1.6			x		626 / 620
1.7			x		626
1.8			x		626
1.9			x		626
2.0			x	x	626 / 620
2.1			x		626
2.2			x		626
2.3			x		626
2.4			x	x	626 / 620
2.5			x		626
3.0				x	626 / 620
3.175				x	626 / 620